

SETTING SLEEVES

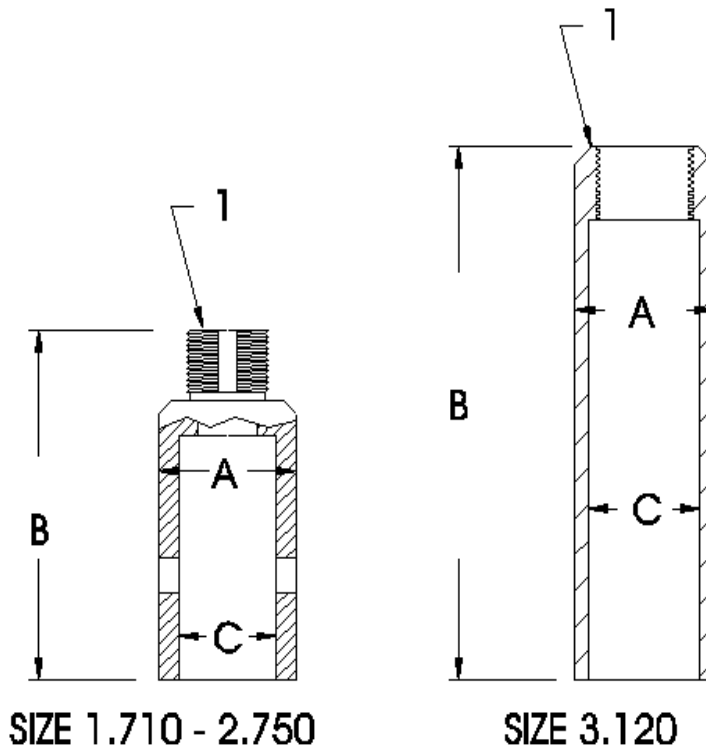


Figure 6

DIMENSIONAL DATA				
REFER TO FIGURE 6				
DIM.	1.71	2.10	2.75	3.12
A	1.710	2.100	2.750	3.120
B	5.000			14.125
C	1.250	1.750	2.625	

The number given for "C" can change due to materials available at the time of manufacture. This is given as nominal and in some cases max. diameter.

PARTS LIST						
REFER TO FIGURE 6						
ITEM	DESCRIPTION	QTY	SIZE			
			1.71	2.10	2.75	3.12
1	Setting Sleeve	1	000-1710-200	000-2100-200	000-2750-200	000-3120-200
* 2	Tension Mandrel	1	NA	NA	NA	004-3120-205

* - Not shown above

SETTING SLEEVES

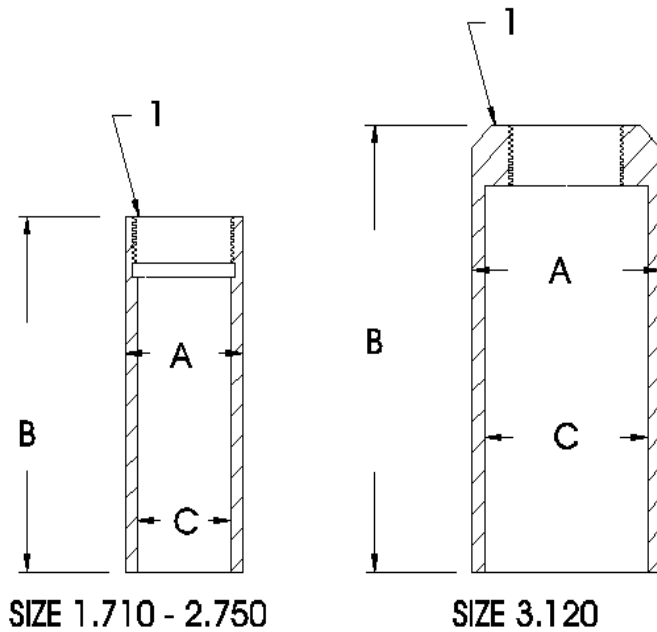


Figure 7

DIMENSIONAL DATA						
REFER TO FIGURE 7						
DIM.	1.71	1 11/16 2.10	2 1/8 2.10	1 11/16 2.75	2 1/8 2.75	3.12
A	1.710	2.000	2.100	2.750	2.750	3.120
B	7.343					8.281
C	1.437	1.500	1.750		2.125	

The number given for "C" can change due to materials available at the time of manufacture. This is given as nominal and in some cases max. diameter.

PARTS LIST

REFER TO FIGURE 7

			SIZE					
ITEM	DESCRIPTION	QTY	1.71	2.10 (1 11/16)	2.10 (2 1/8)	2.75 (1 11/16)	2.10 (2 1/8)	3.12
1	Setting Sleeve	1	000-1710-101	000-2100-101	000-2100-102	000-2750-101	000-2750-102	000-3120-100
* 2	Adapter Rod	1	NA	NA	NA	NA	NA	004-3120-105

* - Not shown above