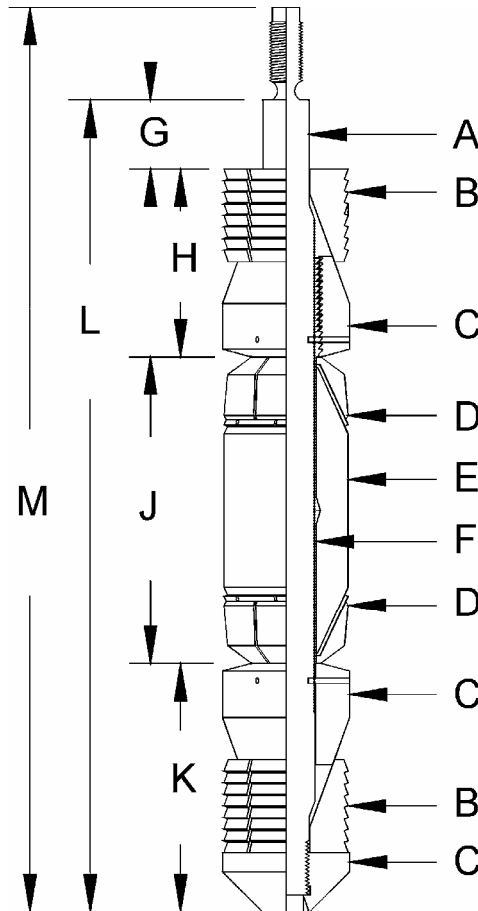


Extra Range Bridge Plug

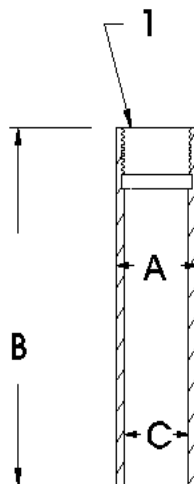
DIMENSIONAL DATA

Plug Size O.D.	A	B	C	D	E	F	G	H	J	K	L	M
1.406	.625	1.406	1.406	1.406	1.406	.625	.440	4.015	3.561	3.077	11.093	12.656
1.750	.687	1.687	1.750	1.656	1.750	.750	1.547	5.058	4.275	3.745	14.625	16.500
1.906	.687	1.906	1.906	1.860	1.875	.750	1.295	5.356	5.337	4.043	16.031	17.906
2.187	.687	2.125	2.187	2.125	2.125	.750	1.459	5.569	5.965	4.257	17.250	19.125
2.281	.687	2.218	2.281	2.125	2.125	.750	1.040	6.027	5.965	4.718	17.750	19.625
2.500	1.000	2.468	2.500	2.437	2.437	1.250	1.672	4.102	6.436	5.352	17.562	19.562
2.750	1.000	2.687	2.750	2.687	2.687	1.250	1.672	4.102	6.436	5.352	17.562	19.562

Some sizes differ slightly from the illustrations shown



SETTING SLEEVES



SIZE 1.406 - 2.750

Figure 8

DIMENSIONAL DATA						
REFER TO FIGURE 8						
DIM.	1.406	1.750	1.906	2.187/ 2.281	2.500	2.750
A	1.500	1.750	1.906	2.187	2.500	2.750
B	9.625	8.437	8.343	8.125	8.625	8.625
C	1.203	1.437	1.437	1.750	1.750	1.750

The number given for "C" can change due to materials available at the time of manufacture. This is given as nominal and in some cases max. diameter.

PARTS LIST								
REFER TO FIGURE 8								
			SIZE					
ITEM	DESCRIPTION	QTY	1.406	1.750	1.906	2.187/2.281	2.500	2.750
1	Setting Sleeve	1	001-1406-100	001-1750-100	001-1906-100	001-2187-100	001-2500-100	001-2750-100