

# Wireline Setting Equipment

## for Alpha's bridge plugs, frac plugs & cement retainers

The information contained herein, is the property of Alpha Oil Tools, and is confidential. It may not be reproduced in any form without the written consent of an officer of Alpha Oil Tools.

This information is subject to change without notice and does not represent a commitment on the part of Alpha Oil Tools and its representatives.

These recommendations are made by Alpha Oil Tools for the benefit of all parties knowledge and understanding of the proper way to use this product and achieve the best performance.

Copyright © 1996 - 2005 Alpha Oil Tools. All rights reserved.

Alpha Oil Tools / 3044 Wichita Court / Fort Worth, TX / 76140 USA

Voice: 817-293-5192

Fax: 817-293-9076

World Wide Web:

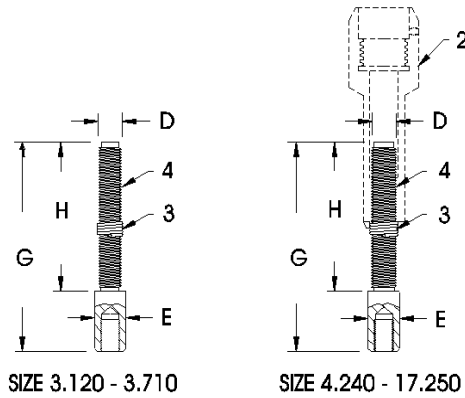
<http://www.alphaoiltools.com>

**Email:**

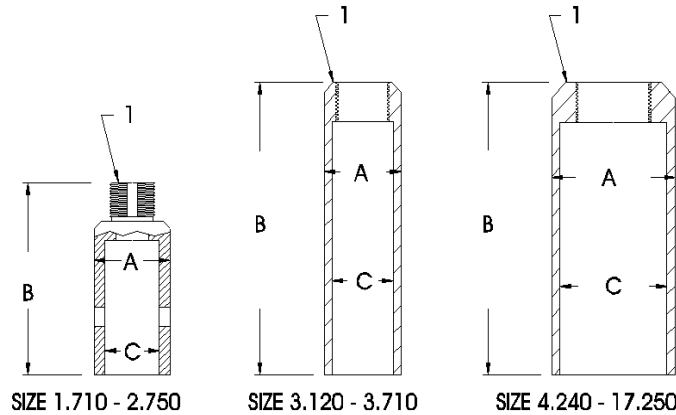
Sales: [sales@alphaoiltools.com](mailto:sales@alphaoiltools.com)  
 Field Support: [fieldsupport@alphaoiltools.com](mailto:fieldsupport@alphaoiltools.com)  
 Purchasing: [purchaser@alphaoiltools.com](mailto:purchaser@alphaoiltools.com)  
 Engineering: [engineering@alphaoiltools.com](mailto:engineering@alphaoiltools.com)

**Big Boy Bridge Plug, Midget 1 Bridge Plug, Midget 2 Bridge Plug  
 on Baker Wireline Pressure Setting Tool**

### TENSION MANDRELS & LOCK SPRINGS



### SETTING SLEEVES



**Figure 1**

<b>DIMENSIONAL DATA</b>																		
<b>REFER TO FIGURE 1</b>																		
<b>DIM.</b>	<b>1.71</b>	<b>2.10</b>	<b>2.50</b>	<b>2.75</b>	<b>3.12</b>	<b>3.50/ 3.71</b>	<b>4.24/ 4.75</b>	<b>5.34/ 5.61</b>	<b>6.09</b>	<b>6.96</b>	<b>7.71</b>	<b>8.71</b>	<b>9.50</b>	<b>11.56</b>	<b>12.00</b>	<b>14.25</b>	<b>17.25</b>	
A	1.710	2.100	2.500	2.750	3.120	3.500	4.240	5.250	6.090	6.960	7.710	8.710	9.500	11.560	12.000	14.250	17.250	
B	5.000				14.125	10.500	16.250	15.000									17.250	15.000
C	1.250	1.750			2.625	3.000	3.750	4.750	5.500	6.500	7.125	8.125	9.000	10.500	11.250	13.250	15.250	
D	not applicable				1.000			1.125										
E	not applicable				1.250		1.375	1.750										
G	not applicable				5.000	4.625	5.187	5.250										
H	not applicable				3.000	3.062	3.500											

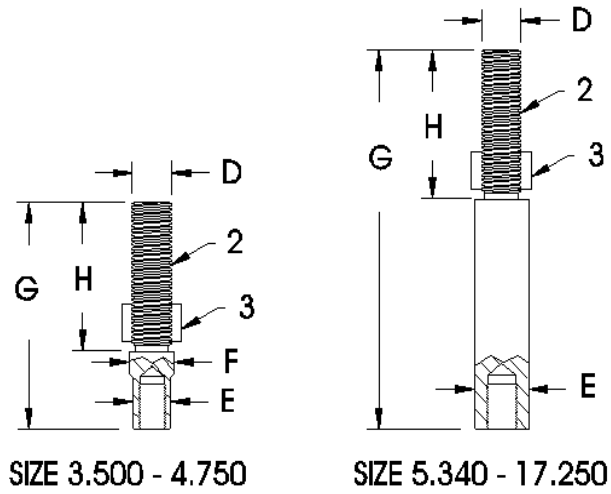
The number given for "C" can change due to materials available at the time of manufacture. This is given as nominal and in some cases max. diameter.

<b>PARTS LIST</b>									
<b>REFER TO FIGURE 1</b>									
			<b>SIZE</b>						
<b>ITEM</b>	<b>DESCRIPTION</b>	<b>QTY</b>	<b>1.71</b>	<b>2.10</b>	<b>2.50</b>	<b>2.75</b>	<b>3.12</b>	<b>3.50/3.71</b>	
	Complete Adapter Kit	-	000-1710-900	000-2100-900	000-2500-900	000-2750-900	000-3120-900	000-3500-900	
1	Setting Sleeve	1	000-1710-200	000-2100-200	000-2500-200	000-2750-200	000-3120-200	000-3500-200	
2	Adjuster Sub	1	not required						
-	Socket Head Set Screw	1	not required						
3	Lock Spring	1	not required				000-3500-203		
4	Tension Mandrel	1	not required				000-3120-206	000-3500-206	

<b>PARTS LIST - continued</b>								
<b>REFER TO FIGURE 1</b>								
			<b>SIZE</b>					
<b>ITEM</b>	<b>DESCRIPTION</b>	<b>QTY</b>	<b>4.24/4.75</b>	<b>5.34/5.61</b>	<b>6.09</b>	<b>6.96</b>	<b>7.71</b>	<b>8.71</b>
	Complete Adapter Kit	-	000-4240-900	000-5610-900	000-6090-900	000-6960-900	000-7710-900	000-8710-900
1	Setting Sleeve	1	000-4240-200	000-5610-200	000-6090-200	000-6960-200	000-7710-200	000-8710-200
2	Adjuster Sub	1	000-4240-209					
-	Socket Head Set Screw	1	5/16 - 18 x 3/8 lg					
3	Lock Spring	1	000-4240-203					
4	Tension Mandrel	1	000-4240-206	000-5610-206				

<b>PARTS LIST - continued</b>								
<b>REFER TO FIGURE 1</b>								
			<b>SIZE</b>					
<b>ITEM</b>	<b>DESCRIPTION</b>	<b>QTY</b>	<b>9.50</b>	<b>11.56</b>	<b>12.00</b>	<b>14.25</b>	<b>17.25</b>	
	Complete Adapter Kit	-	000-9500-900	000-1156-900	000-1200-900	000-1425-900	000-1725-900	
1	Setting Sleeve	1	000-9500-200	000-1156-200	000-1200-200	000-1425-200	000-1725-200	
2	Adjuster Sub	1	000-4240-209					
-	Socket Head Set Screw	1	5/16 - 18 x 3/8 lg					
3	Lock Spring	1	000-4240-203					
4	Tension Mandrel	1	000-5610-206					

## ADAPTER RODS & LOCK NUTS



## SETTING SLEEVES

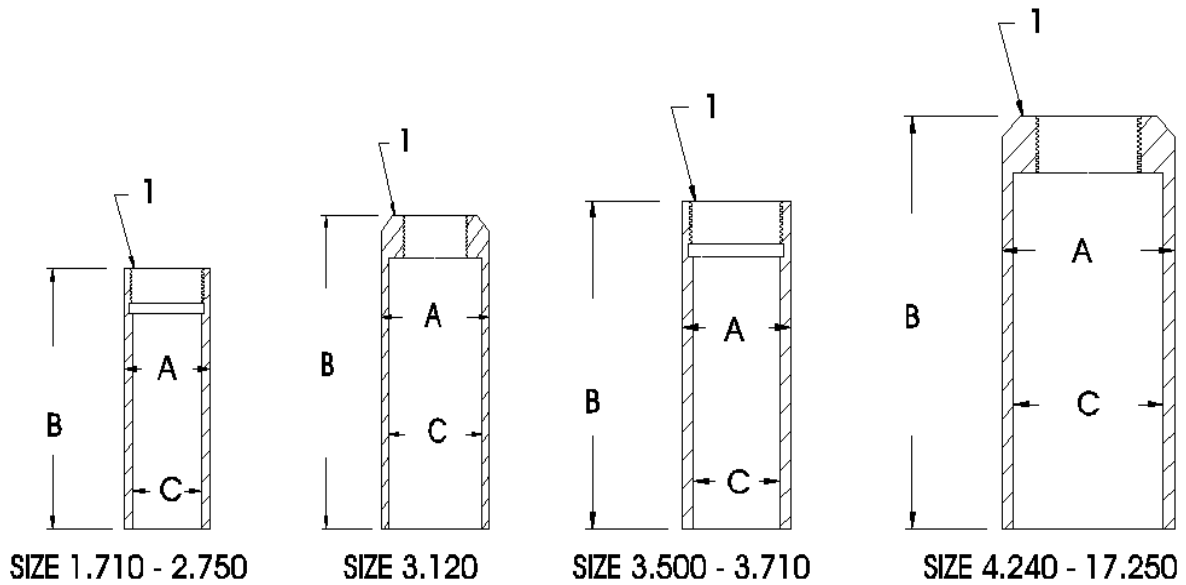


Figure 2

<b>DIMENSIONAL DATA</b>																				
<b>REFER TO FIGURE 2</b>																				
<b>DIM.</b>	<b>1.71</b>	<b>1 11/16 2.10</b>	<b>2 1/8 2.10</b>	<b>1 11/16 2.50</b>	<b>2 1/8 2.50</b>	<b>1 11/16 2.75</b>	<b>2 1/8 2.75</b>	<b>3.12</b>	<b>3.50/ 3.71</b>	<b>4.24/ 4.75</b>	<b>5.34/ 5.61</b>	<b>6.09</b>	<b>6.96</b>	<b>7.71</b>	<b>8.71</b>	<b>9.50</b>	<b>11.56</b>	<b>12.00</b>	<b>17.25</b>	
A	1.710	2.000	2.100	2.500	2.500	2.750	2.750	3.120	3.500	4.240	5.250	6.090	6.960	7.710	8.710	9.500	11.560	12.000	17.250	
B	7.343							8.281	8.812	9.250	14.250									
C	1.437	1.500	1.750				2.125	3.000	3.750	4.750	5.500	6.500	7.125	8.125	9.000	10.500	11.250	15.250		
D	not applicable								1.375											
E	not applicable								1.250		1.750									
F	not applicable								1.500		not applicable									
G	not applicable								6.562		13.375									
H	not applicable								3.500		4.000									

The number given for "C" can change due to materials available at the time of manufacture. This is given as nominal and in some cases max. diameter.

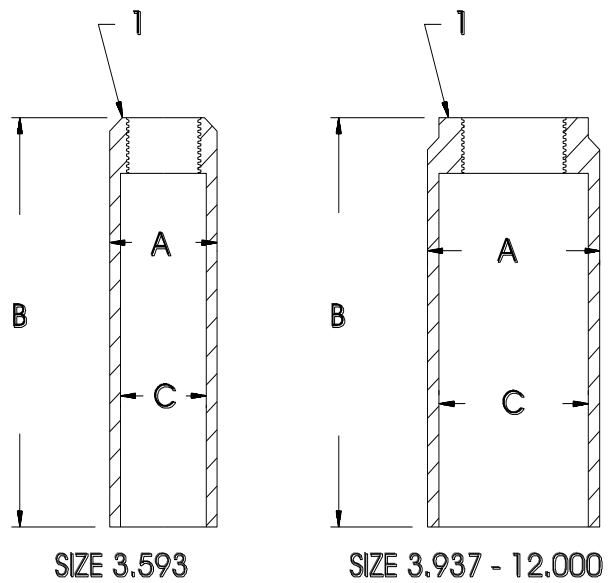
<b>PARTS LIST</b>								
<b>REFER TO FIGURE 2</b>								
			<b>SIZE</b>					
<b>ITEM</b>	<b>DESCRIPTION</b>	<b>QTY</b>	<b>1.71</b>	<b>2.10 (1 11/16)</b>	<b>2.10 (2 1/8)</b>	<b>2.50 (1 11/16)</b>	<b>2.50 (2 1/8)</b>	<b>2.75 (1 11/16)</b>
1	Setting Sleeve	1	000-1710-101	000-2100-101	000-2100-102	000-2500-101	000-2500-102	000-2750-101
2	Adapter Rod	-	not required					
3	Lock Nut	-	not required					

<b>PARTS LIST - continued</b>								
<b>REFER TO FIGURE 2</b>								
			<b>SIZE</b>					
<b>ITEM</b>	<b>DESCRIPTION</b>	<b>QTY</b>	<b>2.75 (2 1/8)</b>	<b>3.12</b>	<b>3.50/3.71</b>	<b>4.24/4.75</b>	<b>5.34/5.61</b>	<b>6.09</b>
1	Setting Sleeve	1	000-2750-102	000-3120-100	000-3500-100	000-4240-100	000-5610-100	000-6090-100
2	Adapter Rod	1	not required		000-3500-106		000-5610-106	
3	Lock Nut	1	not required		000-3500-107			

<b>PARTS LIST - continued</b>								
<b>REFER TO FIGURE 2</b>								
			<b>SIZE</b>					
<b>ITEM</b>	<b>DESCRIPTION</b>	<b>QTY</b>	<b>6.96</b>	<b>7.71</b>	<b>8.71</b>	<b>9.50</b>	<b>11.56</b>	<b>12.00</b>
1	Setting Sleeve	1	000-6960-100	000-7710-100	000-8710-100	000-9500-100	000-1156-100	000-1200-100
2	Adapter Rod	1	000-5610-106					
3	Lock Nut	1	000-3500-107					

<b>PARTS LIST - continued</b>								
<b>REFER TO FIGURE 2</b>								
			<b>SIZE</b>					
<b>ITEM</b>	<b>DESCRIPTION</b>	<b>QTY</b>	<b>14.25</b>	<b>17.25</b>				
1	Setting Sleeve	1	000-1425-100	000-1725-100				
2	Adapter Rod	1	000-5610-106					
3	Lock Nut	1	000-3500-107					

## SETTING SLEEVES



**Figure 2A**

**DIMENSIONAL DATA  
REFER TO FIGURE 2A**

<b>DIM.</b>	<b>3.500/ 3.710</b>	<b>4.240</b>		<b>5.340/ 5.610</b>	<b>6.312</b>	<b>7.125</b>	<b>8.125</b>	<b>9.000</b>	<b>9.437</b>	<b>10.437</b>	<b>11.560</b>	<b>12.000</b>
A	3.500	4.312		5.375	6.312	7.000	8.000	8.875	9.437	10.437	11.500	11.750
B	12.875	12.500		10.500	9.560	9.120	9.687	9.687	9.687	9.937	10.125	10.156
C	2.875	3.000		4.687	5.000	6.375	6.968	7.688	7.688	9.750	10.875	10.875

The number given for "C" can change due to materials available at the time of manufacture. This is given as nominal and in some cases max. diameter.

**PARTS LIST  
REFER TO FIGURE 2A**

<b>ITEM</b>	<b>DESCRIPTION</b>	<b>QTY</b>	<b>SIZE</b>					
			<b>3.500/3.710</b>	<b>4.240</b>		<b>5.340/5.610</b>	<b>6.312</b>	<b>7.125</b>
1	Setting Sleeve	1	005-3593-200	005-4312-200		005-5687-200	005-6312-200	005-7125-200
3	Adjuster Sub *	1	not required			000-4240-209		
-	Socket Head Set Screw *	1	not required			5/16 - 18 x 3/8 lg.		
4	Lock Spring *	1	000-3500-203			000-4240-203		

**PARTS LIST - continued  
REFER TO FIGURE 2A**

<b>ITEM</b>	<b>DESCRIPTION</b>	<b>QTY</b>	<b>SIZE</b>					
			<b>8.125</b>	<b>9.000</b>	<b>9.437</b>	<b>10.437</b>	<b>11.560</b>	<b>12.00</b>
1	Setting Sleeve	1	005-8125-200	005-9000-200	005-9437-200	005-1043-200	005-1156-200	005-1200-200
3	Adjuster Sub *	1				000-4240-209		
-	Socket Head Set Screw *	1				5/16 - 18 x 3/8 lg.		
4	Lock Spring *	1				000-4240-203		

\* - Not shown in the illustration on previous page.

Note: The BTS Plug's do not use a tension mandrel. That function is incorporated into the shear stud.