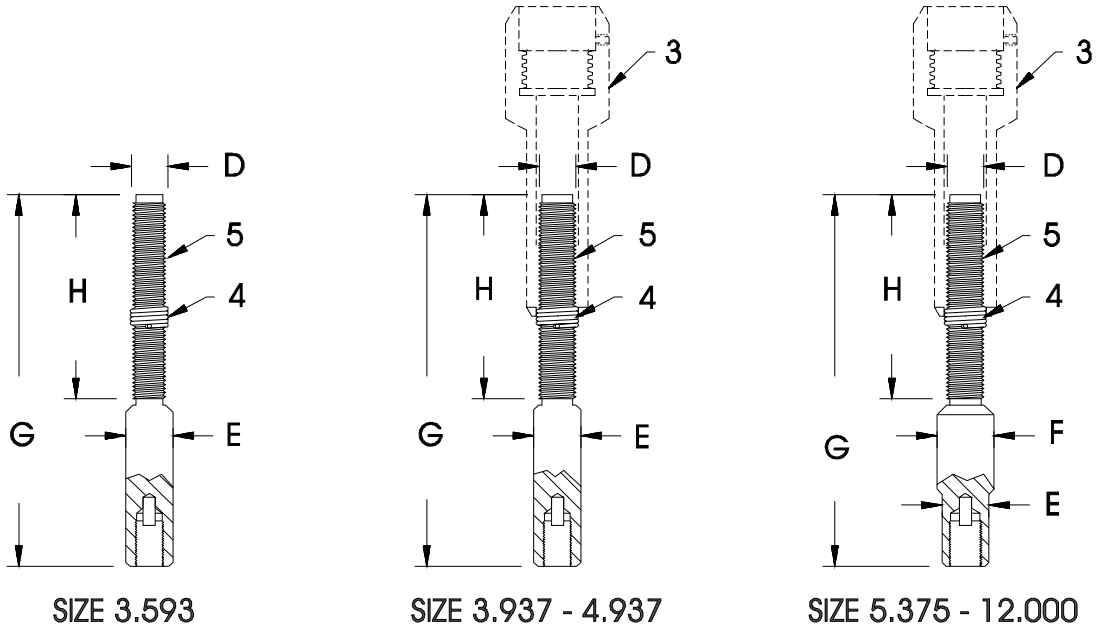


## TENSION MANDRELS & LOCK SPRINGS



## SETTING SLEEVES

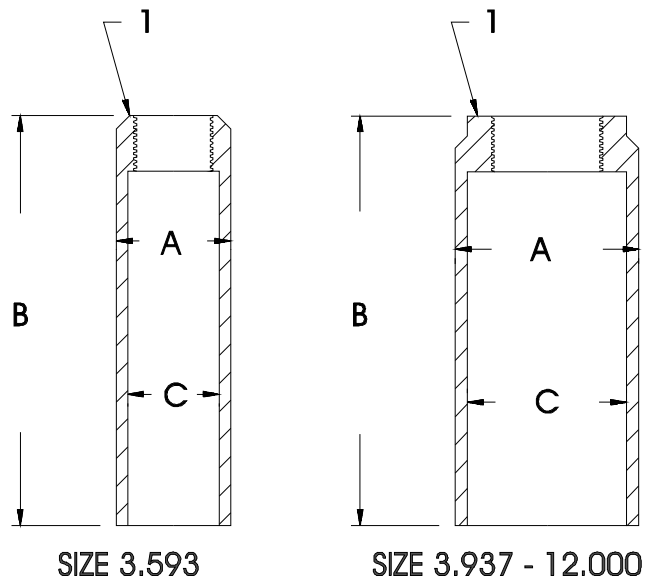


Figure 3

**Model B Sleeve Valve Cement Retainer, Model B Flapper Valve Cement Retainer, Model B-1 Bridge Plug  
on Baker Wireline Pressure Setting Tool** **Continued**

**DIMENSIONAL DATA**  
REFER TO FIGURE 3

DIM.	3.593	3.937/ 4.312	4.312	5.375/ 5.687	6.312	7.125	8.125	9.000	9.437	10.437	11.560	12.000
A	3.500	3.812	4.312	5.375	6.312	7.000	8.000	8.875	9.437	10.437	11.500	11.750
B	12.875	12.500	12.500	10.500	9.560	9.120	9.687	9.687	9.687	9.937	10.125	10.156
C	2.875	3.000	3.000	4.687	5.000	6.375	6.968	7.688	7.688	9.750	10.875	10.875
D	1.000	1.125										
E	1.187	1.200		1.437								
F	not applicable			1.750								
G	20.000	18.000		19.000								
H	3.500	10.125		10.000								

The number given for "C" can change due to materials available at the time of manufacture. This is given as nominal and in some cases max. diameter.

**PARTS LIST**  
REFER TO FIGURE 3

			SIZE					
ITEM	DESCRIPTION	QTY	3.593	3.937/4.312	4.312	5.375/5.687	6.312	7.125
	Complete Adapter Kit	-	005-3593-900	005-3937-900	005-4312-900	005-5687-900	005-6312-900	005-7125-900
1	Setting Sleeve	1	005-3593-200	005-3937-200	005-4312-200	005-5687-200	005-6312-200	005-7125-200
3	Adjuster Sub	1	not required	000-4240-209				
-	Socket Head Set Screw	1	not required	5/16 - 18 x 3/8 lg.				
4	Lock Spring	1	000-3500-203	000-4240-203				
5	Tension Mandrel	1	005-3593-205	005-3937-205		005-5687-205		

**PARTS LIST - continued**  
REFER TO FIGURE 3

			SIZE					
ITEM	DESCRIPTION	QTY	8.125	9.000	9.437	10.437	11.560	12.00
	Complete Adapter Kit	-	005-8125-900	005-9000-900	005-9437-900	005-1043-900	005-1156-900	005-1200-900
1	Setting Sleeve	1	005-8125-200	005-9000-200	005-9437-200	005-1043-200	005-1156-200	005-1200-200

3	Adjuster Sub	1	000-4240-209
-	Socket Head Set Screw	1	5/16 - 18 x 3/8 lg.
4	Lock Spring	1	000-4240-203
5	Tension Mandrel	1	005-5687-205